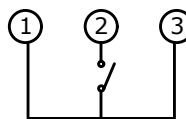
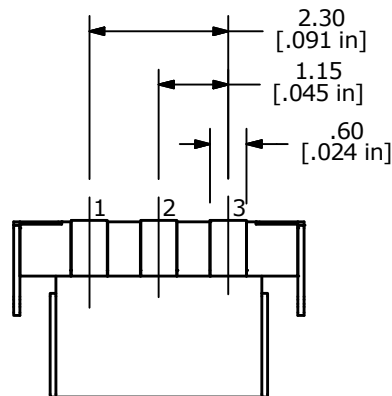
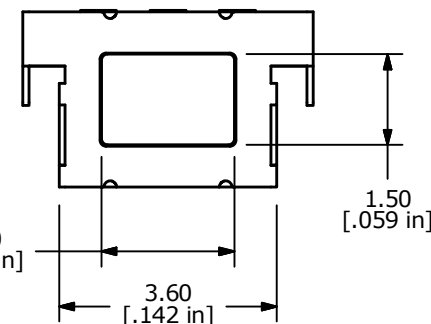
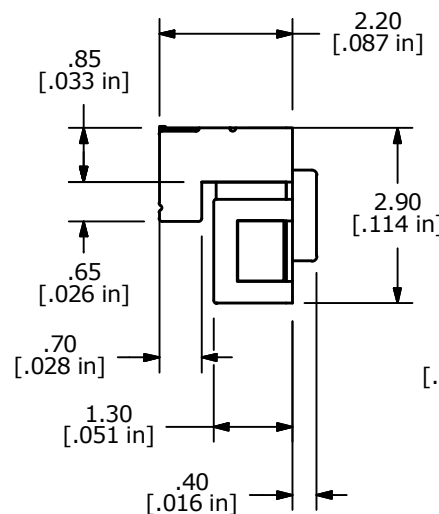
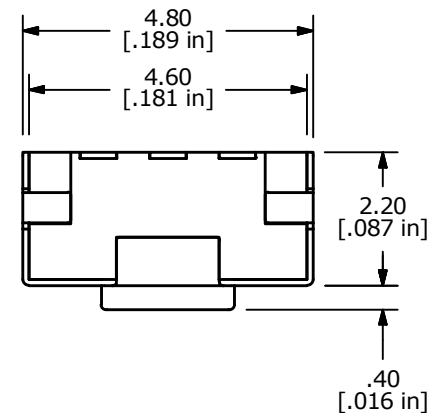
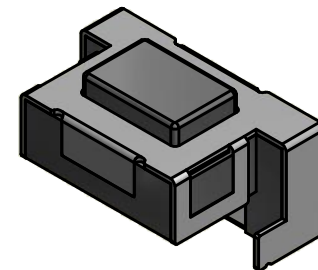


PCB LAYOUT



SCHEMATIC



NOTES

1. ALL DIMENSIONS IN MM [INCH]
2. GENERAL TOLERANCE: X.X = ± 0.4
X.XX = ± 0.25
3. TERMINAL NUMBERS FOR REF. ONLY.
- ▲ 4. OPERATING FORCE: 250± 50gf
5. OPERATING LIFE: 200,000 CYCLES
6. TRAVEL: 0.15± 0.1mm
- ▲ 7. CONTACT RATING: 12 VDC, 50mA
8. CONTACT RESISTANCE: 1Ω MAX
9. INSULATION RESISTANCE: 100M Ω MIN. @ 500 VDC
10. BOUNCE MAX: 10m SEC MAX
11. DIELECTRIC STRENGTH: 250 VAC FOR 1 MINUTE
12. OPERATING TEMPERATURE: -40°C TO 85°C
13. STORAGE TEMPERATURE: -40°C TO 85°C
14. PACKAGING: REEL 2200 PCS. PER
15. ▲ DENOTES CRITICAL PARAMETER
16. 2002/95/EC (ROHS) COMPLIANT



| | | | | |
|-----|--------|-----------------------|--------|----|
| A | 22139 | RELEASE TO PRODUCTION | 2/1/16 | MW |
| REV | PCR NO | DESCRIPTION | DATE | BY |

| | | | | |
|---------------------|----------|----|---------|-----|
| TITLE TL4105AF250QG | | | | |
| SCALE | DATE | DR | DWG | REV |
| 8:1 | 2/1/2016 | MW | P004011 | A |

THE INFORMATION CONTAINED IN THIS DOCUMENT IS PROPRIETARY TO E-SWITCH AND IS NOT TO BE COPIED OR TRANSFERRED